

Version	2.0	Date	1/16/24
Prepared By	JC		

PRODUCT SPECIFICATION

Category	Cut Off Wall Pack
Item Number	9554
Stock Code	FXCWP120SW/CCT3/BZ-PHO
Mounting	Wall
Housing Color	Bronze



ELECTRICAL CHARACTERISTICS			
Rated Wattage (W)	80/100/126	Replacement Wattage (W)	575-750
Tested Wattage (W)	126.79		
Input Voltage (V)	120-277V	Surge Protect Level	6KV
Voltage Frequency (Hz)	50/60	Dimmable	0-10V
Input Current (A)	0.537	AUX (12V) Line	Yes
Power Factor	>0.9	Photocell	Included
THD	<20%		

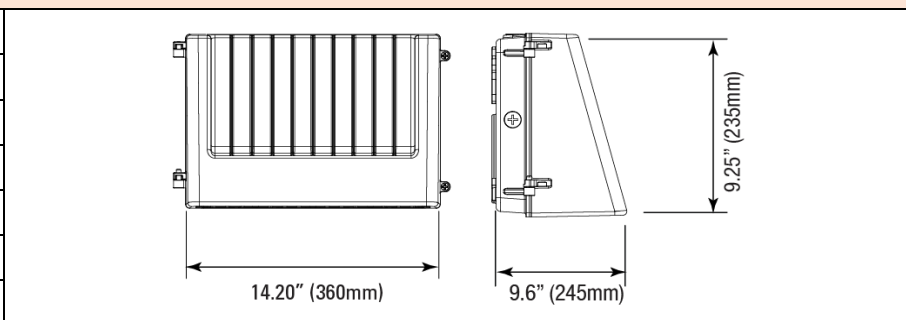
PHOTOMETRIC CHARACTERISTICS			
Lumen (lm)	10,388	CCT (K)	3CCT (30/40/50K)
	12,985		
	16,464		
Efficacy (lm/w)	136	Beam Angle (°)	Cut Off
CRI	>70		

GENERAL CHARACTERISTICS	
Operating Temperature (°F)	-40°F ~ 122°
Storage Temperature (°F)	-40°F ~ 176°
IP Rating	IP65
IK Rating	-
Rated Life (Hrs)	50,000
Warranty (Yrs)	5

ACCESSORIES		
Item #	Stock Code	Description
7341	BAEM15-260BC/347-A	15W Emergency Backup Driver 120-347V
P10540	SEN-ANT-11-WH	Remote Programmable Microwave Motion Sensor 0-10V
P10316	SEN-BRI-RC100	Remote Programmer for P10540

PRODUCT DIMENSIONS

Width- in / (mm)	14.20" 360
Height- in / (mm)	9.25" 235
Depth- in / (mm)	9.60" 245
EPA (ft²)	-
Weight (lbs)	10.56
Mounting Height (ft)	15~25
Cable Length (ft)	1.98



CERTIFICATIONS			
UL/ETL	UL/cUL	CEC	
NSF/ETL Sanitation		JA8	
Energy Star		FCC	✓
DLC	5.1 Premium	RoHs	✓

DOCUMENTS			
LM79	✓	IES File	✓
LM80	✓	Dimmer List	

COMMENTS

--